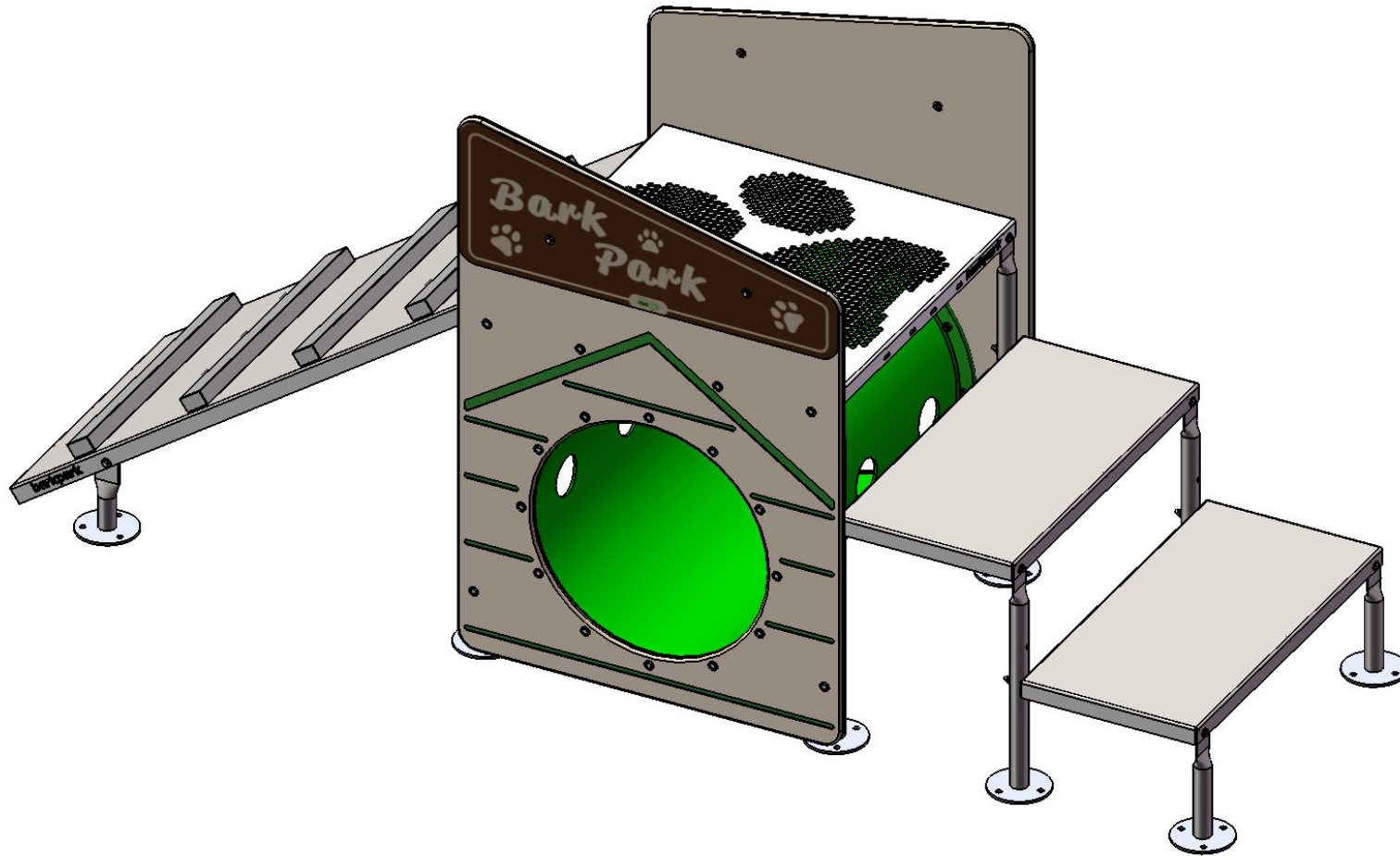




A PLAYCORE Company



Model # BARK-454





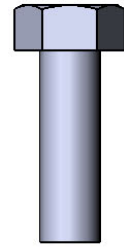
## **SAFETY WARNINGS & EQUIPMENT INSPECTION**

- Owners and installers please note these safety warnings and make use of this checklist on a regular basis.
- Follow installation instructions when erecting equipment.
- Ground surfaces around equipment should be restored as needed. Concrete footings should never be exposed. Surface depth should comply with ASTM and CPSC specifications.
- Check for and repair damage caused by wear or vandalism, a major factor in injury causing situations.
- All protruding bolts should be covered or cut off and finished smooth. Sharp edges on pipes should be capped or removed. Check for bent, broken, or severely worn pipe, and replace.
- All equipment should be free of rust and repainted whenever necessary to deter rusting.
- We provide our customers with layout sheets and installation instructions. Please keep on file the specifications sheet that contains the listing of every part used.
- Never add components not intended for use with this product.
- Regular maintenance is necessary in this and all park and recreational equipment to insure the safety of the user.
- Note: Proper maintenance of equipment requires regular tightening of all bolts, nuts, and setscrews.
- Note: Regular checking of all parts, castings, etc. should be made. If a part is broken or worn, it should be replaced immediately.
- Check to be sure all fittings are tight and that bars and pipes do not move.
- Replace all worn S-hooks. S-hooks must be completely closed. Failure to close S-hooks can result in serious injury to the user. NEVER reuse S-hooks.
- Test for free movement of swing hanger and other moving attached parts.
- Check for worn chains and replace them.
- A soft resilient surface should be placed under all swings extending at least twice the height of the top rail both front and back.

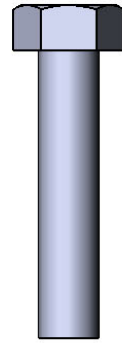
# HARDWARE



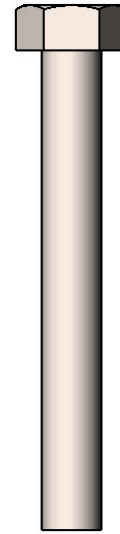
5/16" x 1"  
Lag Bolt



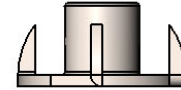
5/16" x 1"  
Machine Bolt



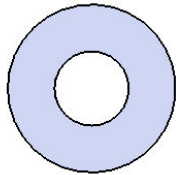
5/16" x 1-1/2"  
Machine Bolt



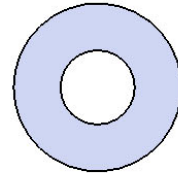
5/16" x 2-1/2"  
Machine Bolt



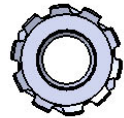
5/16" T Nut



5/16" Washer

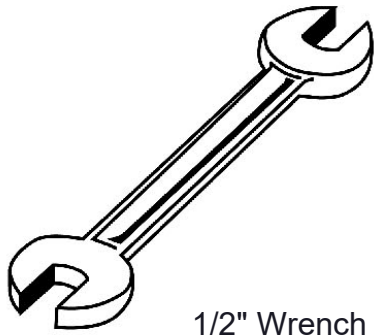


5/16" Washer

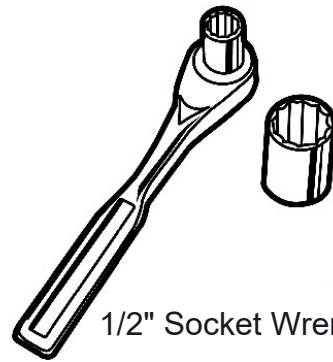


5/16" Kep Nut

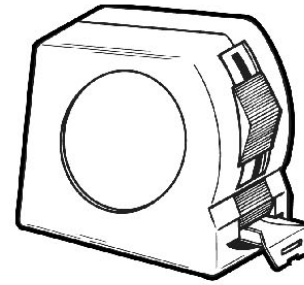
## TOOLS REQUIRED



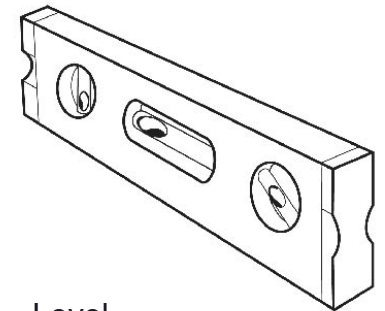
1/2" Wrench



1/2" Socket Wrench



Tape Measure



Level

# BARK PARK PRODUCT SPECIFICATIONS

## **BARK 454SM Pup Clubhouse with crawl tunnel**

Planking: 12 gauge sheet steel. 7 gauge x 1-1/2" flat bar understructure. Electrically MIG welded. 2" x 3" recycled plank is bolted to top surface to create steps.

Coating: Oven fused functionalized polyethylene copolymer-based thermoplastic. Fluidized bed coating application with superior mechanical performance, impact resistance and UV-stability. Steel walking planks feature BarkPark's proprietary CanineCoat™, a thermoplastic coating that has been specially developed to provide superior slip-resistant traction for dog's paws.

Crawl Tunnel: 24" ID with 1/4" nominal wall thickness shall be rotationally molded linear low density polyethylene.

Panels: 3/4" thick HDPE.

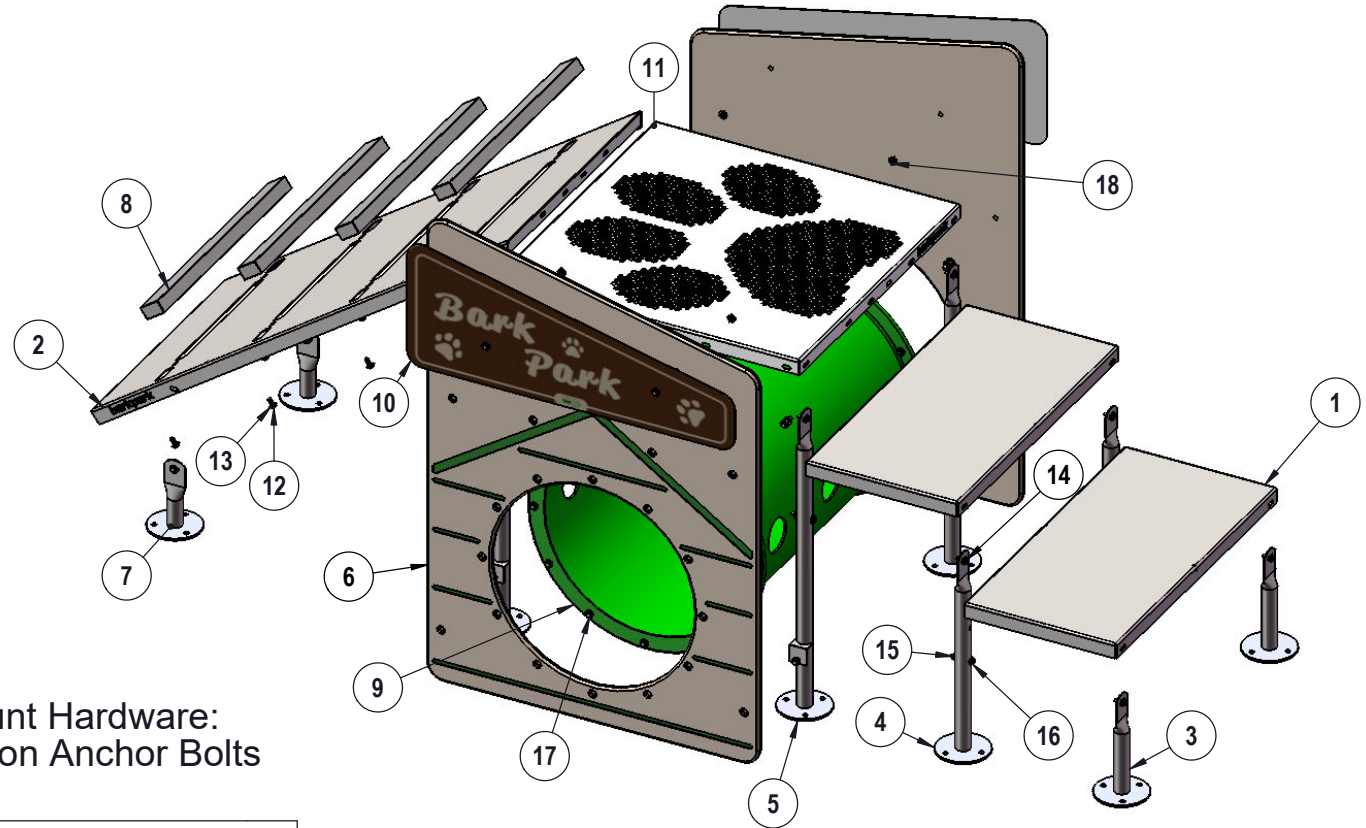
Frame: 1-5/8" O.D. x 14 gauge pre-galvanized structural steel tubing. Surface mount plates are 1/4" thick, 6" in diameter.

Frame Coating: Electrostatic powder coated application oven cured.

Hardware: All stainless steel hardware fasteners.

Dimensions: Outside to outside dimensions are 122-3/8" long x 37-1/2" wide x 56" tall.

# COMPONENTS



Recommended Surface Mount Hardware:  
3/8" x 3-1/2" Concrete Expansion Anchor Bolts  
(Not Included)

BOM Table

ITEM NO.	PartNo	DESCRIPTION	Qty.
1	01-08-0462	clubhouse step	2
2	01-08-0466	clubhouse ramp large	1
3	01-08-0484	clubhouse leg 11-1/2" long SM	2
4	01-08-0485	clubhouse leg 23-1/2" long with (2) holes SM	2
5	01-08-0483	clubhouse leg 35-1/2" long with round hole & bracket hole SM	4
6	01-08-0444 01-08-0451	bark-454 clubhouse panel beige/green or blue/white	2
7	01-08-0482	clubhouse leg 7-1/2" long SM	2
8	01-08-0409	recycled step strip	4
9	177622	crawl tunnel 36" green or red	1

BOM Table

ITEM NO.	PartNo	DESCRIPTION	Qty.
10	01-08-0445 01-08-0450	bark-454 clubhouse sign natural or playful	2
11	T-01-08-0024	Paws Table Top	1
12	33-05-0067	5/16" x 1" lag bolt, SS	8
13	33-02-0007	5/16" SS Washer	116
14	33-05-0029	5/16" x 1" Machine Bolt (SS)	20
15	33-03-0012	5/16" Kep Nut (SS)	52
16	33-05-0094	5/16" x 2.5" Machine Bolt (SS)	4
17	33-05-0093	5/16" x 1.5" Machine Bolt (SS)	32
18	33-03-0019	5/16" T nut with prongs, stainless	4



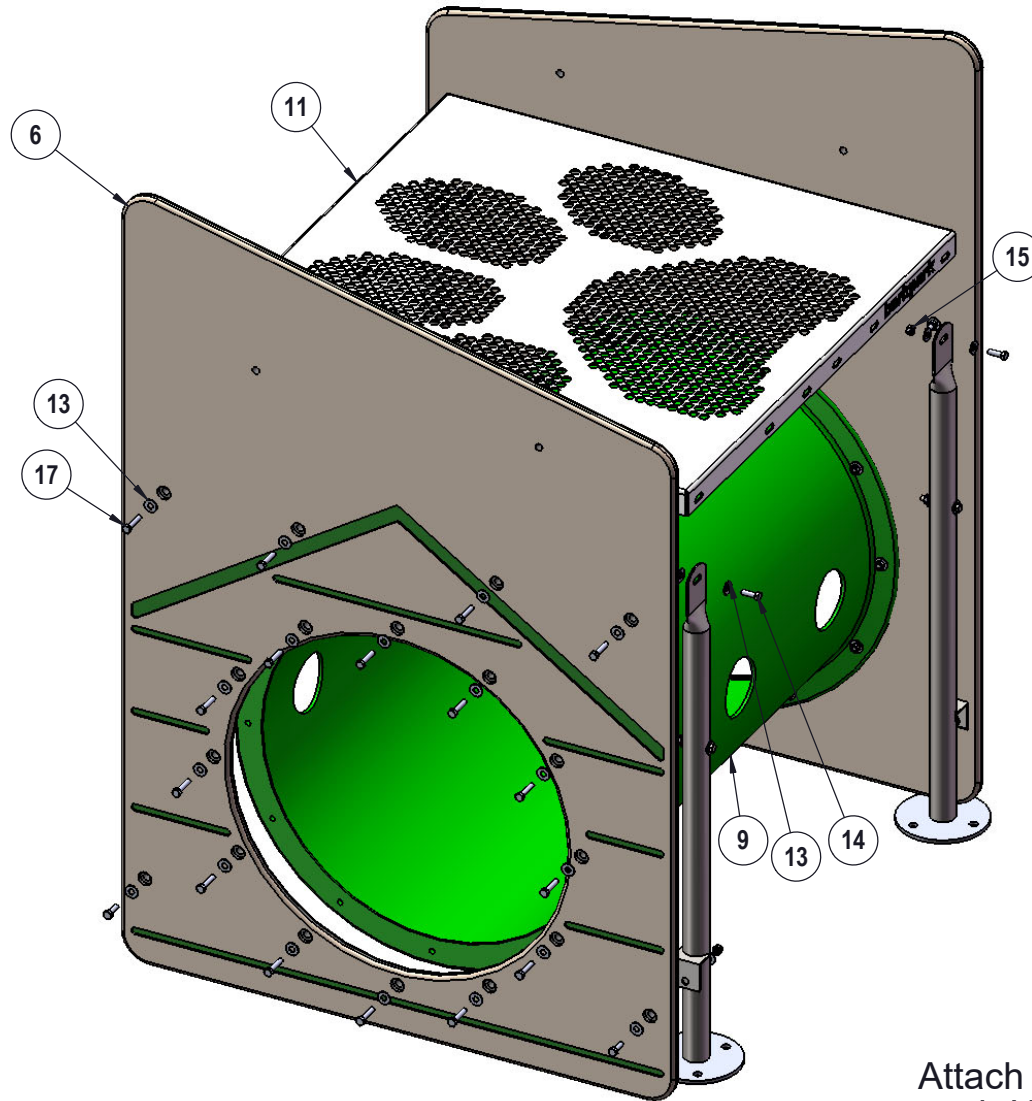
Bark Park

800-45-ULTRA

www.barkparkproducts.com

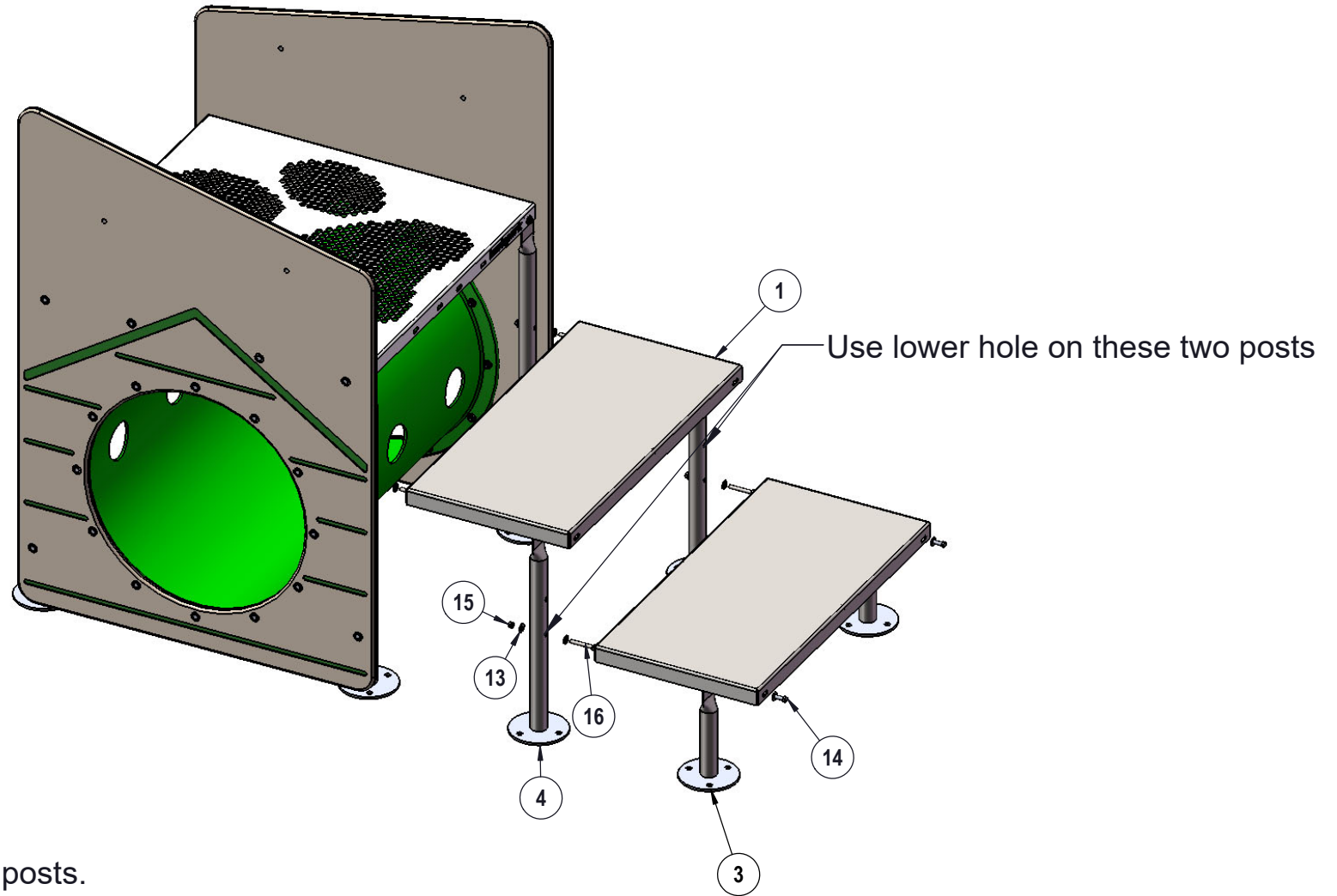


# STEP 1



Attach crawl tunnel and paw print top to each HDPE panel. Attach posts to paw print top.

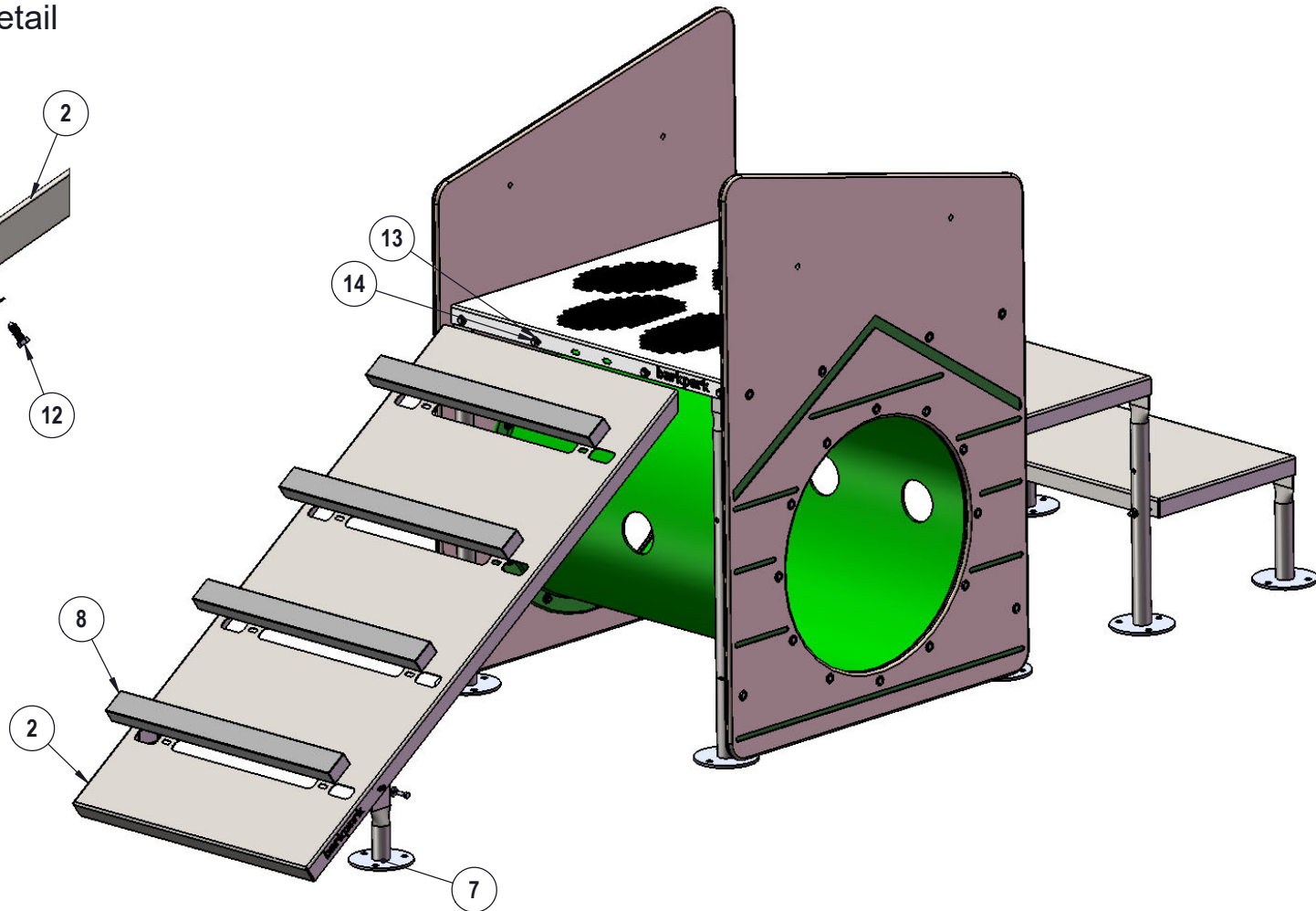
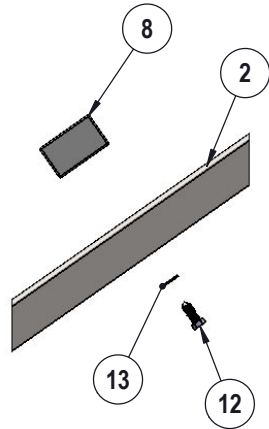
## STEP 2



Attach steps to posts.

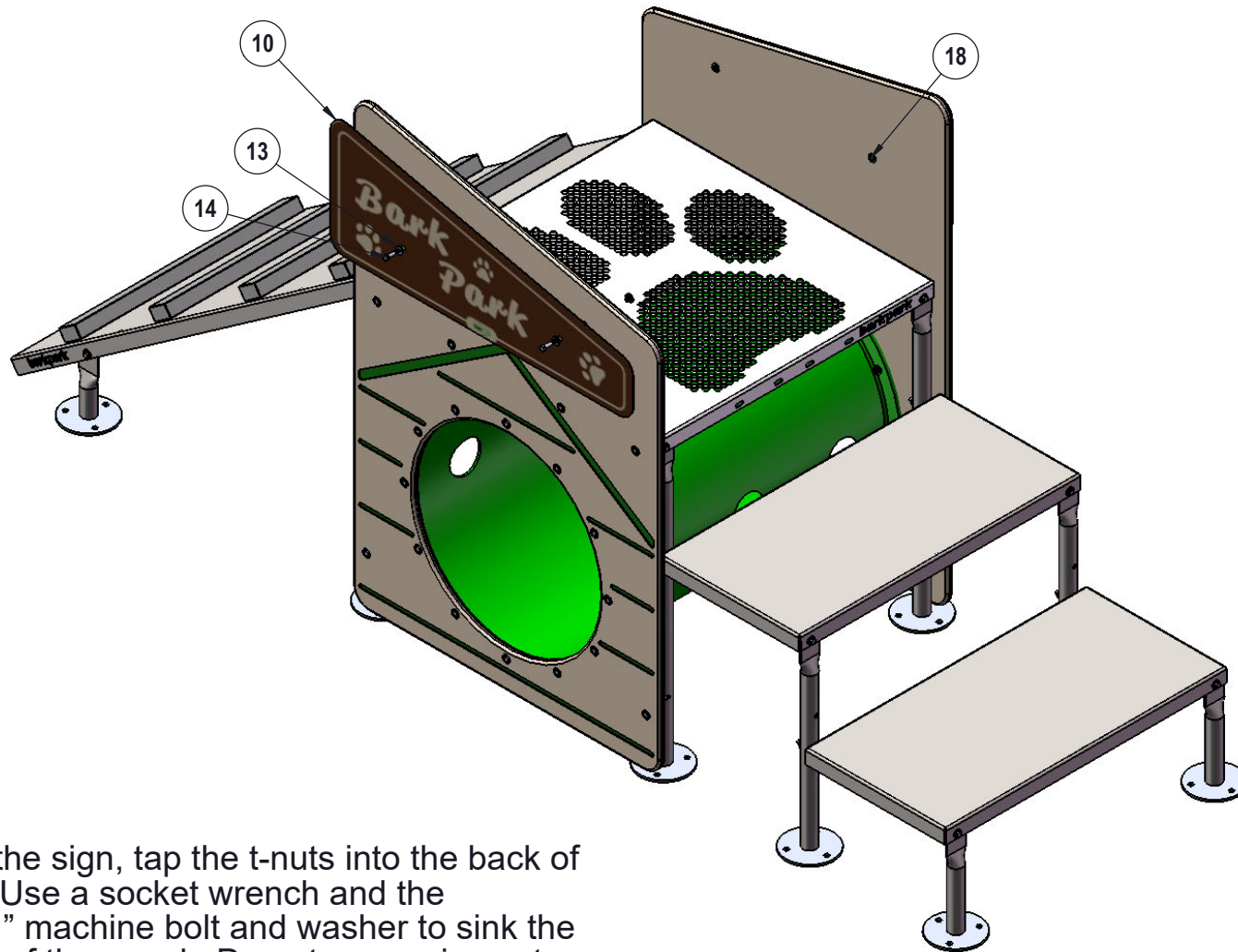
# STEP 3

## Step strip detail



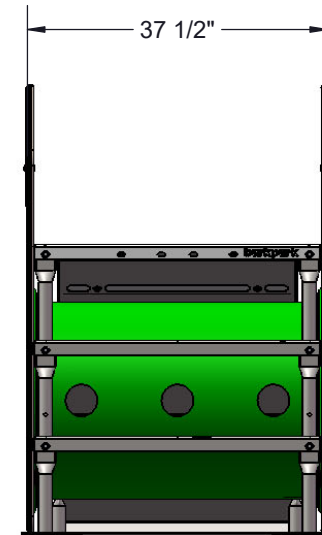
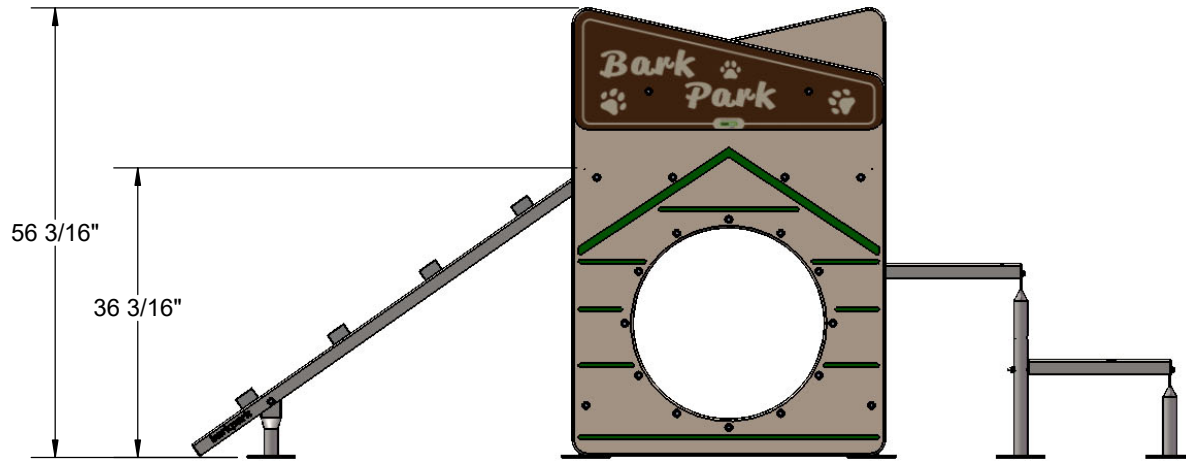
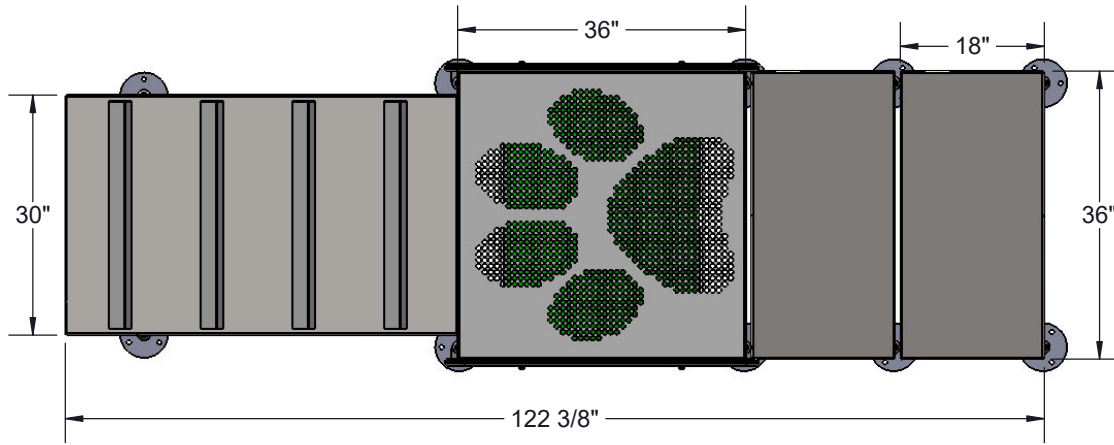
Attach ramp to paw print top. Attach posts to ramp. Attach recycled step strips to top of ramp.

## STEP 4



Prior to attaching the sign, tap the t-nuts into the back of the HDPE panel. Use a socket wrench and the specified 5/16" x 1" machine bolt and washer to sink the t-nut into the back of the panel. Do not use an impact wrench as that may damage the t-nut & panel. Remove the machine bolt & washer. Then attach the sign using the specified 5/16" x 1" machine bolt and washer.

# OVERALL DIMENSIONS



Bark Park

800-45-ULTRA

[www.barkparkproducts.com](http://www.barkparkproducts.com)

